

MM74C912 6-Digit BCD Display Controller/Driver MM74C917 6-Digit Hex Display Controller/Driver

General Description

The MM74C912, MM74C917 display controllers are interface elements, with memory, that drive a 6-digit, 8-segment LED display.

The display controllers receive data information through 5 data inputs A, B, C, D and DP, and digit information through 3 address inputs K1, K2 and K3.

The input data is written into the register selected by the address information when $\overline{\text{CHIP ENABLE}}$, $\overline{\text{CE}}$, and $\overline{\text{WRITE ENABLE}}$, $\overline{\text{WE}}$, are low and is latched when either $\overline{\text{CE}}$ or $\overline{\text{WE}}$ return high. Data hold time is not required. A self-contained internal oscillator sequentially presents the stored data to a decoder where 4 data bits control the format of the displayed character and 1 bit controls the decimal point. The internal oscillator is controlled by a control input labeled $\overline{\text{OSCILLATOR ENABLE}}$, $\overline{\text{OSE}}$, which is tied low in normal operation. A high level at $\overline{\text{OSE}}$ prevents automatic refresh of the display.

The 7-segment plus decimal point output information directly drives an LED display through high drive (100 mA typ.)

output drivers. The drivers are active when the control pin labeled $\overline{\text{SEGMENT OUTPUT ENABLE}}$, $\overline{\text{SOE}}$, is low and go into TRI-STATE[®] when $\overline{\text{SOE}}$ is high. This feature allows for duty cycle brightness control and for disabling the output drivers for power conservation.

The MM74C912 segment decoder converts BCD data into 7-segment format. The MM74C917 converts binary data into hex format.

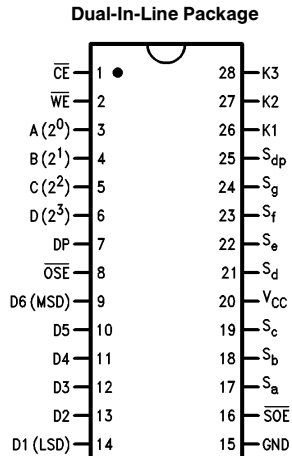
All inputs are TTL compatible and do not clamp to the V_{CC} supply.

Features

- Direct segment drive (100 mA typ.) TRI-STATE
- 6 registers addressed like RAM
- Internal oscillator and scanning circuit
- Direct base drive to digit transistor (20 mA typ.)
- Internal segment decoder
- TTL compatible inputs

MM74C912 6-Digit BCD Display Controller/Driver
MM74C917 6-Digit Hex Display Controller/Driver

Connection Diagram



TL/F/5916-1

Top View

Order Number MM74C912 or MM74C917

Truth Tables

Input Control

$\overline{\text{CE}}$	Digit Address			$\overline{\text{WE}}$	Operation
	K3	K2	K1		
0	0	0	0	0	Write Digit 1
0	0	0	0	1	Latch Digit 1
0	0	0	1	0	Write Digit 2
0	0	0	1	1	Latch Digit 2
0	0	1	0	0	Write Digit 3
0	0	1	0	1	Latch Digit 3
0	0	1	1	0	Write Digit 4
0	0	1	1	1	Latch Digit 4
0	1	0	0	0	Write Digit 5
0	1	0	0	1	Latch Digit 5
0	1	0	1	0	Write Digit 6
0	1	0	1	1	Latch Digit 6
0	1	1	0	0	Write Null Digit
0	1	1	0	1	Latch Null Digit
0	1	1	1	0	Write Null Digit
0	1	1	1	1	Latch Null Digit
1	X	X	X	X	Disable Writing

X = Don't Care

Output Control

$\overline{\text{SOE}}$	$\overline{\text{OSE}}$	Operation
0	0	Refresh Display
0	1	Stop Oscillator*
1	0	Disable Segment Outputs
1	1	Standby Mode

*Segment drive may exceed maximum display dissipation.

TRI-STATE[®] is a registered trademark of National Semiconductor Corporation.

Absolute Maximum Ratings (Notes 1 and 2)

If Military/Aerospace specified devices are required, please contact the National Semiconductor Sales Office/Distributors for availability and specifications.

Voltage at Any Pin Except Inputs	-0.3V to $V_{CC} + 0.3V$
Voltage at Any Input	-0.3V to +15V
Operating Temperature Range (T_A)	-40°C to +85°C
Storage Temperature Range (T_S)	-65°C to +150°C

Power Dissipation (P_D)	Refer to $P_{D\ MAX}$ vs T_A Graph
Operating V_{CC} Range	3V to 6V
Absolute Maximum (V_{CC})	6.5V
Lead Temperature (Soldering, 10 seconds)	260°C

DC Electrical Characteristics Min/Max limits apply at 40°C ≤ T_J ≤ 85°C, unless otherwise noted

Symbol	Parameter	Conditions	Min	Typ	Max	Units
CMOS TO CMOS						
$V_{IN(1)}$	Logical "1" Input Voltage	$V_{CC} = 5V$	3.0			V
$V_{IN(0)}$	Logical "0" Input Voltage	$V_{CC} = 5V$			1.5	V
$I_{IN(1)}$	Logical "1" Input Current	$V_{CC} = 5V, V_{IN} = 15V$		0.005	1.0	μA
$I_{IN(0)}$	Logical "0" Input Current	$V_{CC} = 5V, V_{IN} = 0V$	-1.0	-0.005		μA
I_{CC}	Supply Current	$V_{CC} = 5V, \text{Outputs Open}$		0.5	2	mA
I_{OUT}	TRI-STATE Output Current	$V_{CC} = 5V, V_O = 5V$ $V_{CC} = 5V, V_O = 0V$	-10	0.03 -0.03	10	μA μA
CMOS/LPTTL INTERFACE						
$V_{IN(1)}$	Logical "1" Input Voltage	$V_{CC} = 4.75V$	$V_{CC} - 2.0$			V
$V_{IN(0)}$	Logical "0" Input Voltage	$V_{CC} = 4.75V$			0.8	V
OUTPUT DRIVE						
I_{SH}	High Level Segment Current	$V_{CC} = 5V, V_O = 3.4V$ $T_J = 25^\circ C$ $T_J = 100^\circ C$	-60 -40	-100 -60		mA mA
I_{DH}	High Level Digit Current	$V_{CC} = 5V, V_O = 1V$ $T_J = 25^\circ C$ $T_J = 100^\circ C$	-10 -7	-20 -15		mA mA
$V_{OUT(1)}$	Logical "1" Output Voltage Any Digit	$V_{CC} = 5V, I_O = -360\mu A$	4.6			V
$V_{OUT(0)}$	Logical "0" Output Voltage Any Digit	$V_{CC} = 5V, I_O = 360\mu A$			0.4	V
θ_{JA}	Thermal Resistance	(Note 3)		100		$^\circ C/W$

AC Electrical Characteristics* $V_{CC} = 5V, t_r = t_f = 20\ ns, C_L = 50\ pF$

Symbol	Parameter	Conditions	Min	Typ	Max	Units
t_{CW}	Chip Enable to Write Enable Setup Time	$T_J = 25^\circ C$ $T_J = 125^\circ C$	35 50	15 20		ns ns
t_{AW}	Address to Write Enable Setup Time	$T_J = 25^\circ C$ $T_J = 125^\circ C$	35 50	15 20		ns ns
t_{WW}	Write Enable Width	$T_J = 25^\circ C$ $T_J = 125^\circ C$	400 450	225 250		ns ns
t_{DW}	Data to Write Enable Setup Time	$T_J = 25^\circ C$ $T_J = 125^\circ C$	390 430	225 250		ns ns
t_{WD}	Write Enable to Data Hold Time	$T_J = 25^\circ C$ $T_J = 125^\circ C$	0 0	-10 -15		ns ns

AC Electrical Characteristics* $V_{CC} = 5V, t_r = t_f = 20\text{ ns}, C_L = 50\text{ pF}$ (Continued)

Symbol	Parameter	Conditions	Min	Typ	Max	Units
t_{WA}	Write Enable to Address Hold Time	$T_J = 25^\circ\text{C}$	0	-10		ns
		$T_J = 125^\circ\text{C}$	0	-15		ns
t_{WC}	Write Enable to Chip Enable Hold Time	$T_J = 25^\circ\text{C}$	50	30		ns
		$T_J = 125^\circ\text{C}$	75	40		ns
t_{1H}, t_{0H}	Logical "1", Logical "0" Levels into TRI-STATE	$R_L = 10k, T_J = 25^\circ\text{C}$		275	500	ns
		$C_L = 10\text{ pF}, T_J = 125^\circ\text{C}$		325	600	ns
t_{H1}, t_{H0}	TRI-STATE to Logical "1" to Logical "0" Level	$R_L = 10k, T_J = 25^\circ\text{C}$		325	600	ns
		$C_L = 50\text{ pF}, T_J = 125^\circ\text{C}$		375	700	ns
t_{IB}	Interdigit Blanking Time	$T_J = 25^\circ\text{C}$	5	10		μs
		$T_J = 125^\circ\text{C}$	10	20		μs
f_{MUX}	Multiplex Scan Frequency	$T_J = 25^\circ\text{C}$		350		Hz
		$T_J = 125^\circ\text{C}$		250		Hz
C_{IN}	Input Capacitance	(Note 4)		5	7.5	pF
C_{OUT}	TRI-STATE Output Capacitance	(Note 4)		30	50	pF

*AC Parameters are guaranteed by DC correlated testing.

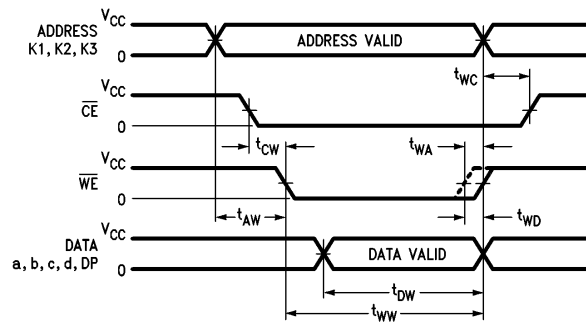
Note 1: "Absolute Maximum Ratings" are those values beyond which the safety of the device cannot be guaranteed. Except for "Operating Range" they are not meant to imply that the device should be operated at these limits. The table of "Electrical Characteristics" provides conditions for actual device operation.

Note 2: All voltages reference to ground.

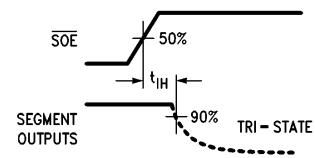
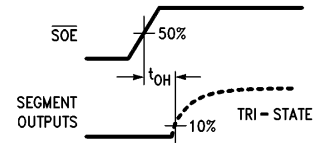
Note 3: θ_{JA} measured in free air with device soldered into printed circuit board.

Note 4: Capacitance is guaranteed by periodic testing.

Switching Time Waveforms

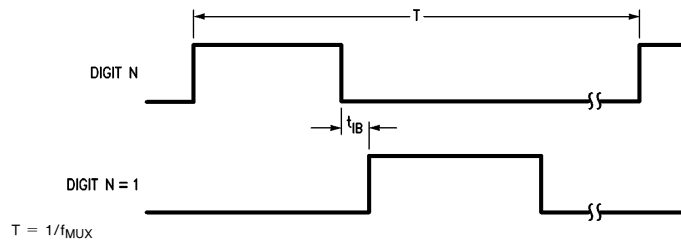


TL/F/5916-2



TL/F/5916-3

Multiplexing Output Waveforms



$T = 1/f_{MUX}$

TL/F/5916-4

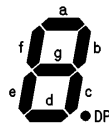
Functional Description

Character Font

MM74C917	Hi-Z	0	1	2	3	4	5	6	7	8	9	A	b	C	d	E	F	F.
MM74C912	Hi-Z	0	1	2	3	4	5	6	7	8	9	o	o	-	-	.	.	.
Input A 2 ⁰	X	0	1	0	1	0	0	0	1	0	1	0	1	0	1	0	1	1
Data B 2 ¹	X	0	0	1	1	0	1	1	1	0	0	1	1	0	0	1	1	1
C 2 ²	X	0	0	0	0	1	1	1	1	0	0	0	0	1	1	1	1	1
D 2 ³	X	0	0	0	0	0	0	0	0	1	1	1	1	1	1	1	1	1
DP	X	0	0	0	0	0	0	0	0	0	0	0	0	0	0	0	0	1
OUTPUT ENABLE \overline{SOE}	1	0	0	0	0	0	0	0	0	0	0	0	0	0	0	0	0	0

TL/F/5916-5

Segment Identification



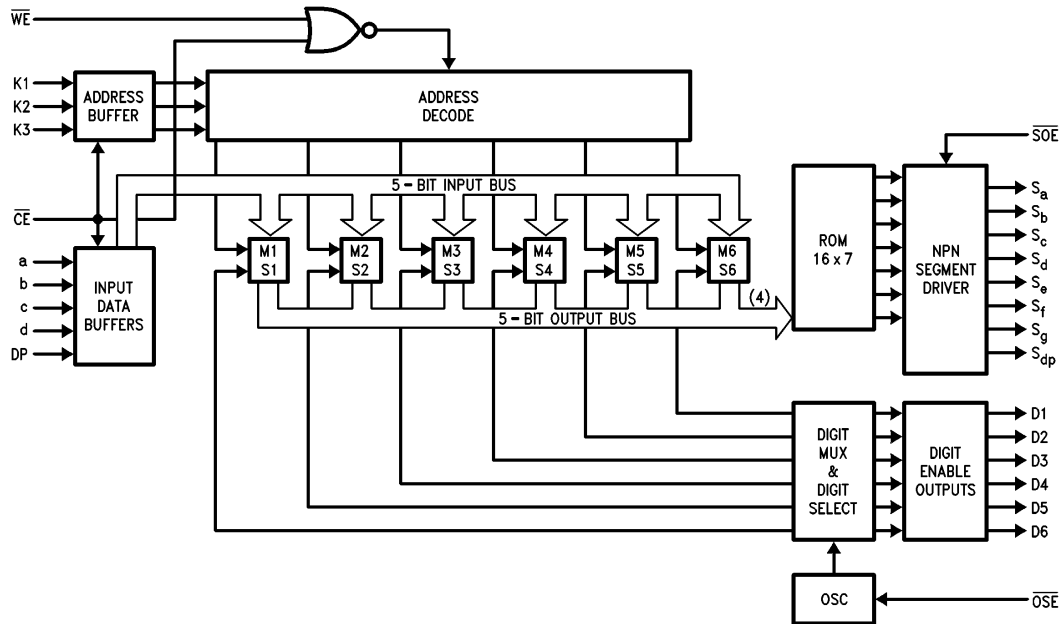
TL/F/5916-6

The MM74C912, MM74C917 display controllers are manufactured using metal gate CMOS technology. A single 5V 74 series TTL supply can be used for power and should be bypassed at the V_{CC} pin.

All inputs are TTL compatible; the segment outputs drive the LED display directly through current limiting resistors. The digit outputs are designed to directly drive the base of a grounded emitter digit transistor without the need of a Darlington configuration.

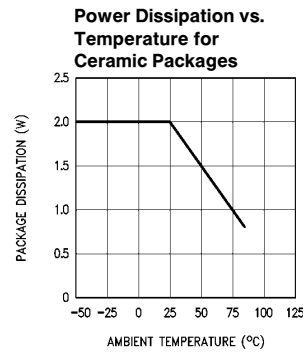
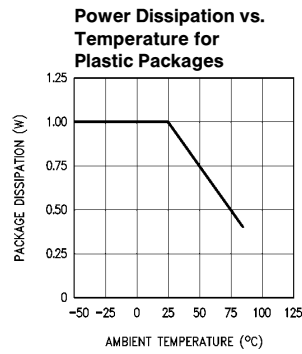
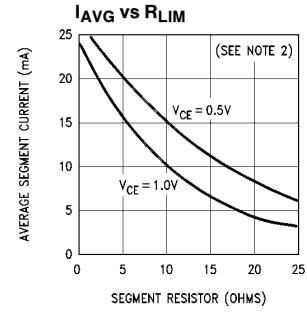
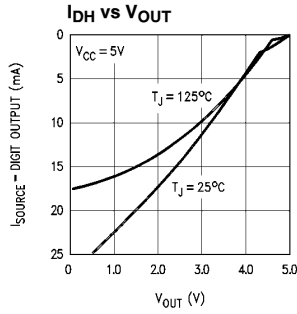
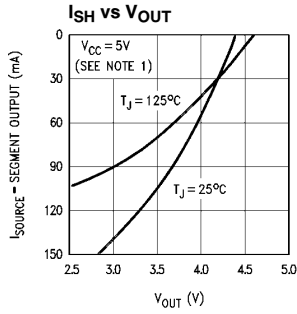
As seen in the block diagram, these display controllers contain six 5-bit registers; any one of which may be randomly written. The internal multiplexer scans the registers and refreshes the display. This combination of write only memory and self-scan display makes the display controller a "refreshing experience" for an over-burdened microprocessor.

Block Diagram



TL/F/5916-7

Typical Performance Characteristics



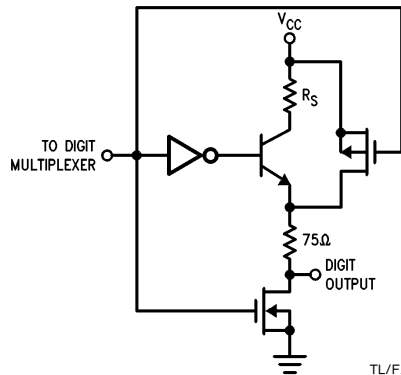
Note 1: Segment outputs if shorted to ground will exceed maximum power dissipation of the device.

Note 2: V_{CE} is the saturation voltage of the digit drive transistor.

TL/F/5916-8

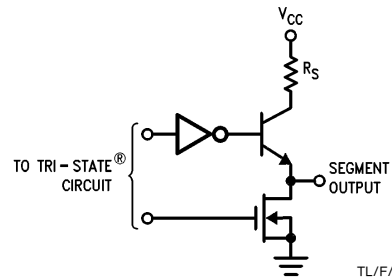
Typical Applications

Digit Output Structure



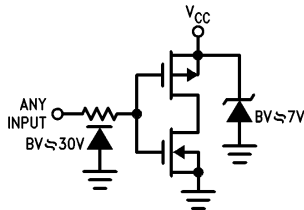
TL/F/5916-9

Segment Output Structure



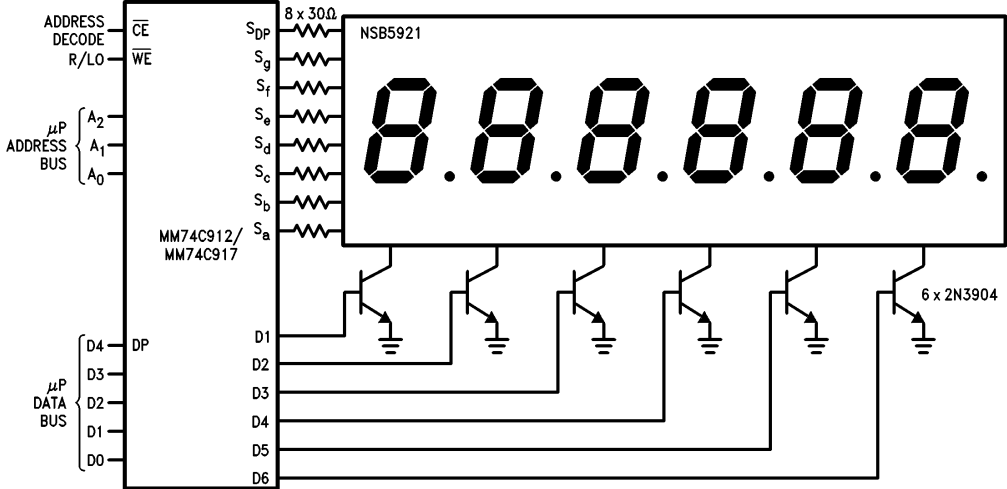
TL/F/5916-10

Input Protection



TL/F/5916-11

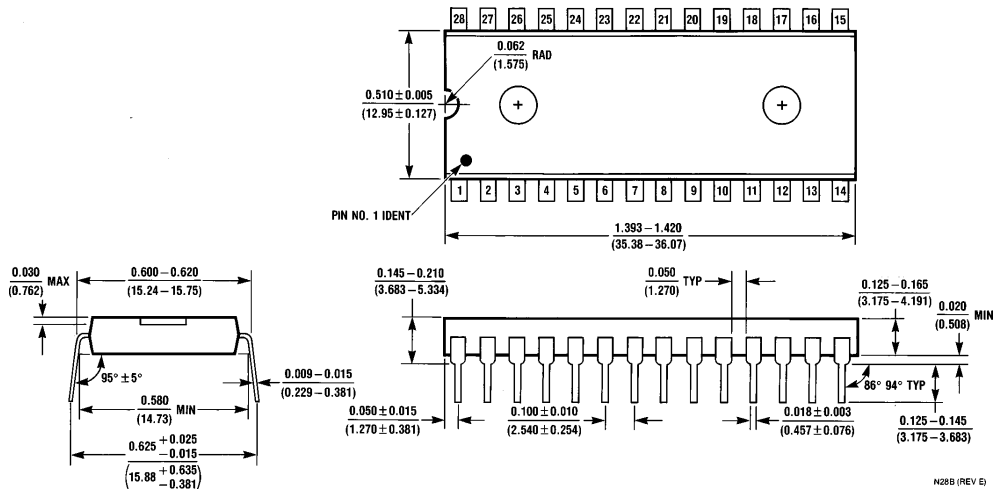
Typical Application



TL/F/5916-12

MM74C912 6-Digit BCD Display Controller/Driver
MM74C917 6-Digit Hex Display Controller/Driver

Physical Dimensions inches (millimeters)



Molded Dual-In-Line Package (N)
Order Number MM74C912N or MM74C917N
NS Package Number N28B

LIFE SUPPORT POLICY

NATIONAL'S PRODUCTS ARE NOT AUTHORIZED FOR USE AS CRITICAL COMPONENTS IN LIFE SUPPORT DEVICES OR SYSTEMS WITHOUT THE EXPRESS WRITTEN APPROVAL OF THE PRESIDENT OF NATIONAL SEMICONDUCTOR CORPORATION. As used herein:

1. Life support devices or systems are devices or systems which, (a) are intended for surgical implant into the body, or (b) support or sustain life, and whose failure to perform, when properly used in accordance with instructions for use provided in the labeling, can be reasonably expected to result in a significant injury to the user.
2. A critical component is any component of a life support device or system whose failure to perform can be reasonably expected to cause the failure of the life support device or system, or to affect its safety or effectiveness.



National Semiconductor Corporation
 1111 West Bardin Road
 Arlington, TX 76017
 Tel: 1(800) 272-9959
 Fax: 1(800) 737-7018

National Semiconductor Europe
 Fax: (+49) 0-180-530 85 86
 Email: onjwge@tevm2.nsc.com
 Deutsch Tel: (+49) 0-180-530 85 85
 English Tel: (+49) 0-180-532 78 32
 Français Tel: (+49) 0-180-532 93 58
 Italiano Tel: (+49) 0-180-534 16 80

National Semiconductor Hong Kong Ltd.
 19th Floor, Straight Block,
 Ocean Centre, 5 Canton Rd.
 Tsimshatsui, Kowloon
 Hong Kong
 Tel: (852) 2737-1600
 Fax: (852) 2736-9960

National Semiconductor Japan Ltd.
 Tel: 81-043-299-2309
 Fax: 81-043-299-2408

National does not assume any responsibility for use of any circuitry described, no circuit patent licenses are implied and National reserves the right at any time without notice to change said circuitry and specifications.

This datasheet has been download from:

www.datasheetcatalog.com

Datasheets for electronics components.